

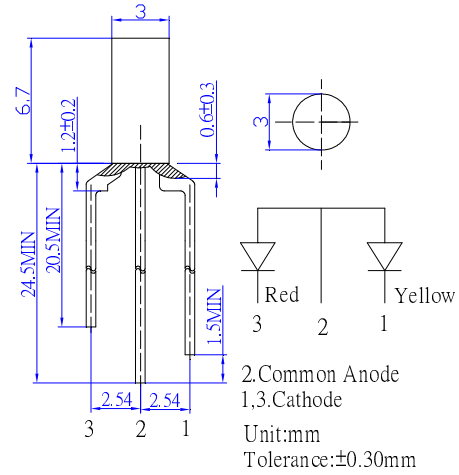
■Features

- High Luminous LEDs
- 3mm Flat Standard Directivity
- Long Lifetime Operation
- Superior Weather-resistance
- UV Resistant Epoxy
- White Diffused Type

■Applications

- Toys
- Audio
- Games
- Other Lighting

■Outline Dimension

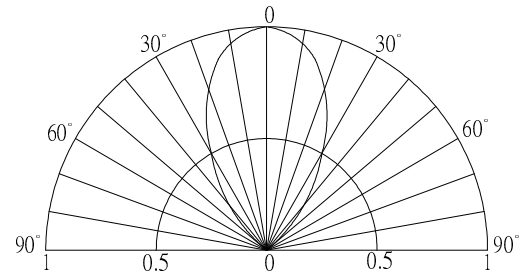


■Absolute Maximum Rating

(Ta=25°C)

Item	Symbol	Value		Unit
		Red	Yellow	
DC Forward Current	IF	30	30	mA
Pulse Forward Current*	IFP	100	100	mA
Reverse Voltage	VR	5	5	V
Power Dissipation	PD	78	78	mW
Operating Temperature	Topr	-30 ~ +85		°C
Storage Temperature	Tstg	-40 ~ +100		°C
Lead Soldering Temperature	Tsol	260°C/5sec		-

■Directivity



*Pulse width Max.10ms Duty ratio max 1/10

■Electrical -Optical Characteristics

(Ta=25°C)

Item	Symbol	Condition	Min.	Typ.	Max.	Unit
DC Forward Voltage	VF (Red)	IF2=20mA	1.8	2.1	2.6	V
	VF (Yellow)	IF1=20mA	1.8	2.1	2.6	V
DC Reverse Current	IR	VR=5V	-	-	10	μA
Domi. Wavelength*	λD (Red)	IF2=20mA	620	625	630	nm
	λD (Yellow)	IF1=20mA	585	590	595	-
Luminous Intensity*	IV (Red)	IF2=20mA	750	1120	-	mcd
	IV (Yellow)	IF1=20mA	750	1120	-	mcd
50% Power Angle	2θ1/2	IF1=20mA	-	60	-	deg

*Tolerance of dominant chromaticity is ±10%

*2 Tolerance of luminous intensity is ±15%