

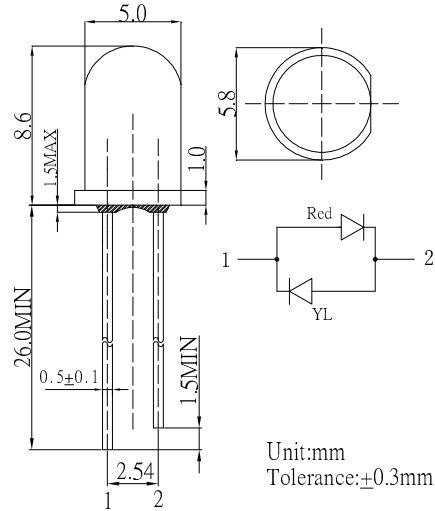
■Features

- High Luminous LEDs
- 5mm Round Standard Directivity
- Long Lifetime Operation
- Superior Weather-resistance
- UV Resistant Epoxy/ Water Clear Type
- Bi-Color AC LED

■Applications

- Toys
- Audio
- Games
- Other Lighting

■Outline Dimension

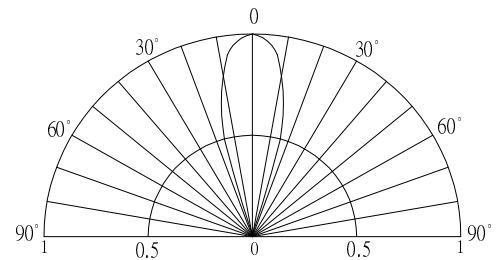


■Absolute Maximum Rating (Ta=25°C)

Item	Symbol	Value		Unit
		Red	Yellow	
DC Forward Current	I _F	30	30	mA
Pulse Forward Current*	I _{FP}	100	100	mA
Reverse Voltage	V _R	5	5	V
Power Dissipation	P _D	78	78	mW
Operating Temperature	T _{opr}	-30 ~ +85		°C
Storage Temperature	T _{stg}	-40 ~ +100		°C
Lead Soldering Temperature	T _{sol}	260°C/5sec		-

*Pulse width Max.10ms Duty ratio max 1/10

■Directivity



■Electrical -Optical Characteristics (Ta=25°C)

Item	NO.	Symbol	Condition	Min.	Typ.	Max.	Unit
DC Forward Voltage	Red	V _{F1}	I _{F1} =20mA	1.8	2.1	2.6	V
	Yellow	V _{F2}	I _{F2} =20mA	1.8	2.1	2.6	V
Domi. Wavelength*	Red	λ _{D1}	I _{F1} =20mA	620	625	630	nm
	Yellow	λ _{D1}	I _{F1} =20mA	585	590	595	nm
Luminous Intensity*	Red	I _{V1}	I _{F1} =20mA	220	330	-	mcd
	Yellow	I _{V2}	I _{F2} =20mA	220	330	-	mcd
50% Power Angle	Red	2θ _{1/2}	I _{F1} =20mA	-	30	-	deg
	Yellow	2θ _{1/2}	I _{F2} =20mA	-	30	-	deg

*Tolerance of dominant chromaticity is ±10%

*2 Tolerance of luminous intensity is ±15%