

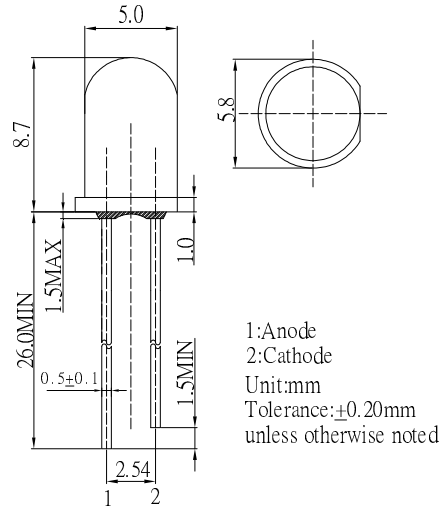
**■Features**

- Normal Bright LEDs
- 5mm Round Standard Directivity
- UV Resistant Epoxy
- Color Diffused Type

**■Applications**

- General Purpose Indicators
- Decorations
- Toys & Games
- General Use

**■Outline Dimension**

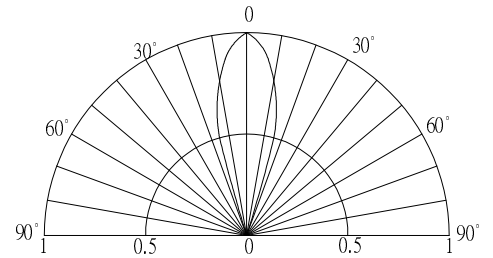


**■Absolute Maximum Rating**

( $T_a=25^\circ\text{C}$ )

Item	Symbol	Value	Unit
DC Forward Current	$I_F$	30	mA
Pulse Forward Current#	$I_{FP}$	100	mA
Reverse Voltage	$V_R$	5	V
Power Dissipation	$P_D$	72	mW
Operating Temperature	$T_{opr}$	-30 ~ +85	$^\circ\text{C}$
Storage Temperature	$T_{stg}$	-30 ~ +100	$^\circ\text{C}$
Lead Soldering Temperature	$T_{sol}$	260 $^\circ\text{C}$ /5sec	-

**■Directivity**



#Pulse width Max.10ms Duty ratio max 1/10

**■Electrical -Optical Characteristics**

( $T_a=25^\circ\text{C}$ )

Item	Symbol	Condition	Min	Typ	Max	Unit
DC Forward Voltage*	$V_F$	$I_F=20\text{mA}$	1.8	2.1	2.6	V
DC Reverse Current	$I_R$	$V_R=5\text{V}$	-	-	10	$\mu\text{A}$
Domi. Wavelength*	$\lambda_D$	$I_F=20\text{mA}$	565	570	575	nm
Luminous Intensity*	$I_v$	$I_F=20\text{mA}$	45	-	68	mcd
50% Power Angle	$2\theta_{1/2}$	$I_F=20\text{mA}$	-	30	-	deg

\*1 Tolerance of measurements of dominant wavelength is  $\pm 1$  nm

\*2 Tolerance of measurements of luminous intensity is  $\pm 15\%$

\*3 Tolerance of measurements of forward voltage is  $\pm 0.1\text{V}$